

WOOD-BURNING
THERMO-FIREPLACE

WIDRO 85 WIDRO 85 CS



For all updates visit www.edilkamin.com

CONTENTS

Safety Information	xx
General Information	xx
Installation	xx
Hydraulic Installation	xx
Instructions for Use	xx
Maintenance	xx

The original language of this manual is Italian

The undersigned EDILKAMIN S.p.A., with registered office in Via Vincenzo Monti 47 - 20123 Milan (Italy) - Tax ID Code and VAT number 00192220192

Declares under its own liability that the following product conforms to EU Regulation 305/2011 and to the harmonised European standard EN 13229:2001+A1:2003+A2:2004+AC:2006 +AC:2007

WOOD-BURNING THERMO-FIREPLACE, trade name EDILKAMIN, models WIDRO 85 and WIDRO 85 CS

SERIAL NO.: Rating plate reference
WIDRO 85 and WIDRO 85 CS: Declaration of performance (DoP - EK no. 203)

The liability of the manufacturer is limited to the supply of the product.

Dear Sir/Madam
 Congratulations on choosing our product. Before you use it, please read this manual carefully, to get the best from your new appliance in total safety.

This manual is an integral part of the product. Keep it with care for the service life of the product. If you lose it, you can request a copy or download it from www.edilkamin.com

Readers of this manual

This manual is addressed to:

- those who will use the product at home (“USER”);
- the technician who will install the product (“INSTALLER”).

The target person of each page is indicated in a band at the bottom of the page (USER or INSTALLER).

After unpacking the product, check the condition and completeness of the contents.

In the event of error, immediately contact the retailer where the purchase was made, providing them with a copy of the warranty booklet and the sales receipt.

The appliance must be correctly sized, installed, maintained and operated in compliance with local and national law and European regulations. For the installation, and for anything not specifically indicated in the manual, observe local regulations.

The diagrams provided in this manual are for illustration purposes only; they do not always strictly refer to your specific model, and are not binding in any way.

The product is uniquely identified by a number, the “counterfoil”, which is indicated on the warranty certificate.

Please keep:

- the warranty certificate accompanying the product
 - the purchase receipt given to you by the retailer
 - the declaration of conformity given to you by the installer.
- Check local regulations.

The warranty conditions are given in the warranty certificate accompanying the product and on the website www.edilkamin.com.



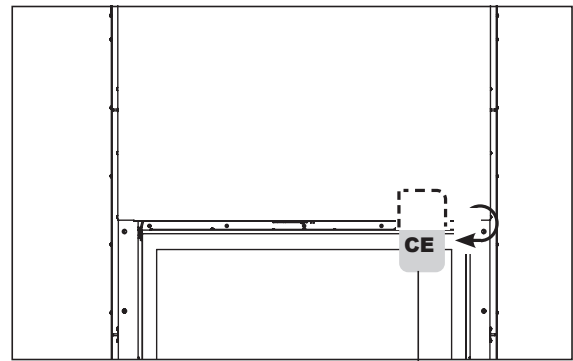
MEANING OF SYMBOLS

In some parts of the manual the following symbols are used:

PLEASE NOTE:
carefully read and understand the message in question, since failure to follow the instructions in it could cause serious damage to the product and put the safety of those using it at risk.

INFORMATION:
failure to comply with these requirements will compromise product use.

The product’s CE marking plate is located above the glass, under the casing, and can also be accessed once the product has been installed.



EAC		CE		21 DoP n. EK203		Modello: EK203		Versione: 1.0	
EDILKAMIN		Modello: EK203		Versione: 1.0		Data: 2023		Firma: [Signature]	
WIDRO 85		Modello: EK203		Versione: 1.0		Data: 2023		Firma: [Signature]	
Max. potenza (kW)		7.5		-		%		high	
Max. potenza (kW)		34.7		-		%		low	
Max. potenza (kW)		29.7		-		%		low	
Max. potenza (kW)		18.2		-		%		low	
Max. potenza (kW)		11.5		-		%		low	
Max. potenza (kW)		85.70		-		%		low	
Max. potenza (kW)		1088		-		%		low	
Max. potenza (kW)		850		-		%		low	
Max. potenza (kW)		30000		-		%		low	
Max. potenza (kW)		90.0		-		%		low	
Max. potenza (kW)		13.0		-		%		low	
Max. potenza (kW)		112.0		-		%		low	
Max. potenza (kW)		64		-		%		low	
Max. potenza (kW)		238		-		%		low	
Max. potenza (kW)		-		-		%		low	
Max. potenza (kW)		-		-		%		low	
Max. potenza (kW)		-		-		%		low	
Max. potenza (kW)		-		-		%		low	
Max. potenza (kW)		-		-		%		low	
Max. potenza (kW)		-		-		%		low	

- The product is not designed for use by people, including children, with limited physical, sensory and mental abilities.
- The product is designed to burn dry wood in the quantities and according to the procedures described in this manual.
- The appliance is designed for indoor use and in areas with normal humidity conditions.
- The product must be installed in rooms where there are no fire risks.
- In the event of fire, call the competent authorities. Do not try to put the fire out with jets of water.

Safety risks may be caused, amongst other things, by:

- contact with fire and hot parts (e.g. glass panel and pipes). DO NOT TOUCH HOT PARTS and, when switched off and still hot, always wear the gloves supplied. Failure do so may result in burns.
- Use of improper ignition aids (e.g. alcohol). DO NOT IGNITE OR BOOST THE FLAME WITH FLUID SPRAYS OR A FLAME TORCH. Serious risk of burns, damage and injury.
- Use of fuel other than dry wood. DO NOT BURN WASTE MATTER, PLASTIC OR MATERIALS OTHER THAN DRY WOOD IN THE COMBUSTION CHAMBER. The product may become soiled, the flue may catch fire, and environmental damage may ensue.
- Use of fuel in quantities other than those recommended. DO NOT OVERLOAD THE COMBUSTION CHAMBER. You risk buckling the combustion chamber and creating personal risks in attempts to resolve this problem and also irreversible changes in colour of the paints on metal parts.
- Cleaning the combustion chamber when hot. DO NOT CLEAN THE COMBUSTION CHAMBER WITH A VACUUM CLEANER WHILE IT IS HOT. Risk of damage to the cleaner and smoke in the room.
- Cleaning the fumes duct with various substances. DO NOT ATTEMPT HOME-GROWN CLEANING SOLUTIONS USING INFLAMMABLE PRODUCTS Risk of fire and blowback.
- Cleaning the glass pane while hot with unsuitable cleaning products. DO NOT CLEAN HOT GLASS WITH WATER. ONLY USE RECOMMENDED GLASS CLEANING PRODUCTS OR A DRY CLOTH. Risk of cracking and permanent, irreparable damage to the glass.
- Storing flammable materials within the safety clearance indicated in this manual. DO NOT PLACE LAUNDRY ON THE PRODUCT. DO NOT PLACE DRYING RACKS WITHIN THE SAFETY CLEARANCE. Keep all inflammable fluids away from the appliance when in use. Fire hazard.
- Blocking the aeration vents and air intakes in the

room. DO NOT BLOCK THE AERATION VENTS OR FLUE. Risk of smoke returning into the room with consequent damage and injury.

- Use of the product as a support or ladder. DO NOT CLIMB ONTO THE PRODUCT OR USE IT AS A SUPPORT. Risk of damage and injury.
- Use of the product with the combustion chamber open. DO NOT USE THE PRODUCT WITH ITS DOOR OPEN.
- Adding fuel and opening the door, approaching the fire while wearing baggy, inflammable garments. DO NOT open the door or approach the glass with baggy, inflammable garments as they could easily catch fire.
- Incandescent material projected from the open door. DO NOT throw incandescent material outside the appliance. Fire hazard.

If you have doubts, please do not take any action, but contact the dealer or the installer.


- NEVER OPERATE THE THERMO-FIREPLACE WITHOUT WATER IN THE CIRCUIT.
- RUNNING WHILE "DRY" MAY DAMAGE THE THERMO-FIREPLACE.
- The thermo-fireplace is designed to heat water through combustion of wood in the combustion chamber.




ONLY LIGHT THE PRODUCT WITH THE REFRACTORY ELEMENTS IN PLACE.

Available with open vessel - **Widro 85** and closed vessel - **Widro 85 CS**.

only for Widro 85 CS

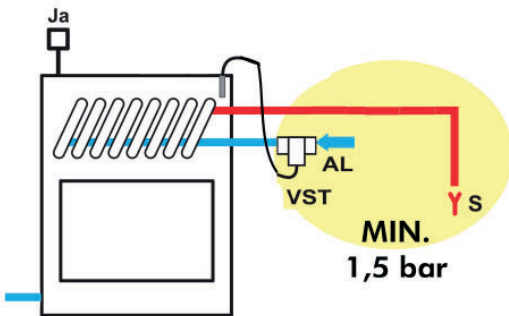


NO




SI

Fig. 1





MIN.
1,5 bar

Fig. 2



MAX 1,5 m





Litri ?

1 Anno

IN ITALY:

- ONLY THERMO-FIREPLACES WITH COIL CONTROLLED BY VST THERMAL DISCHARGE VALVE (not included) CAN BE INSTALLED WITH A CLOSED-VESSEL SYSTEM

For installations with closed vessel:

- Correct installation of the system is the responsibility of the installer who shall take into consideration local regulations.

The thermal discharge valve must be connected to the cooling circuit with a pressure of at least 1.5 bar.

AL = coil supply, always pressurised (minimum) 1.5 bar
 VST = thermal discharge valve
 S = discharge



The valve (not included) may be installed as desired on any one of the coil connectors.

TECHNICAL CHARACTERISTICS in accordance with EN 13229

The data shown below refers to the actual installation and use and was taken during the certification phase by a notified body under the conditions specified by the standard.

The results were obtained with the glass cleaning system off, by the installer.

	Widro 85 - Widro 85 CS Nominal power	
Burned thermal power	34.7	kW
Nominal thermal power	29.7	kW
Power available to water	18.2	kW
Yield	85.7	%
CO emissions at 13% O ₂	0.068	%
Average smoke temperature	238	°C
Draw	11	Pa
Fuel consumption *	7.5	kg/h
Maximum operating pressure	3	bar
Maximum operating temperature	238	°C
Water content	115	litres
Delivery to heating system (male)	1"	inch
Return from heating system (male)	1"	inch
Heatable volume **	775	m ³
Smoke outlet diameter	200	mm
Air intake diameter	130	mm
Weight including packaging	561	kg
Environmental class according to Italian Min. Decree 186	4 stars	
Energy efficiency class in accordance with EU regulation 2015-1186 (Classes A+ +/G)	A+	

* The calculation of fuel consumption assumes a calorific value of 4.6 kW/kg for wood.

** The heatable volume is calculated based on the assumption of a heating demand of 33 Kcal/m³ hour.

The product can work safely even with greater draught.

Excessive draught could cause the product to switch off and/or lower its performance.

NOTE: the smoke outlet diameter does not match the chimney system diameter, which must be sized accordingly.

TECHNICAL DATA FOR SIZING THE FLUE

which must in any case satisfy the requirements of this sheet and the installation instructions

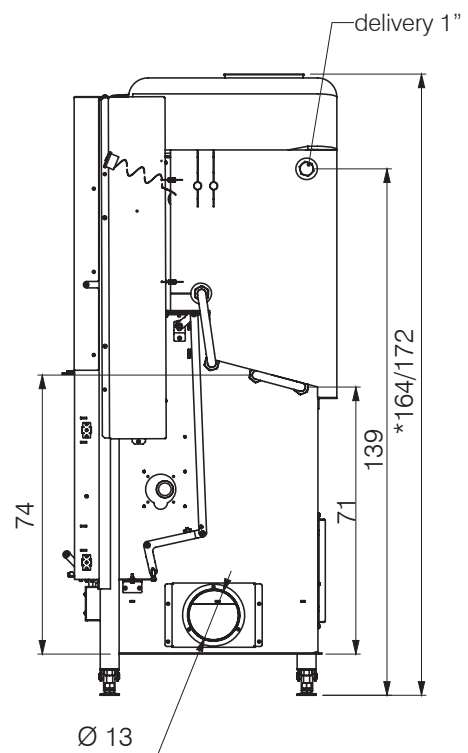
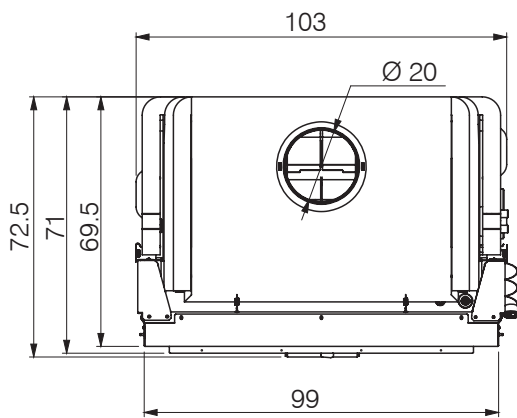
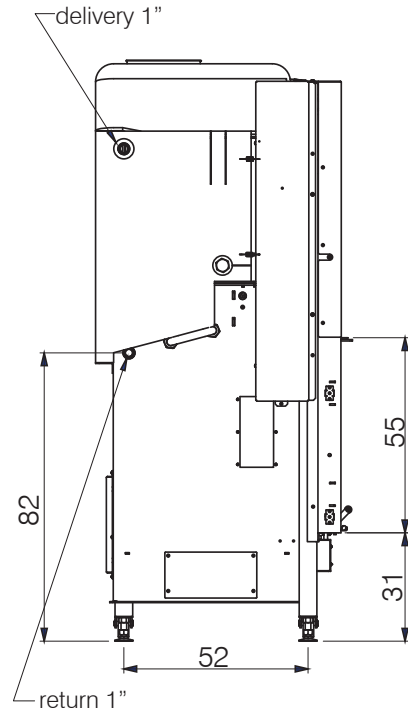
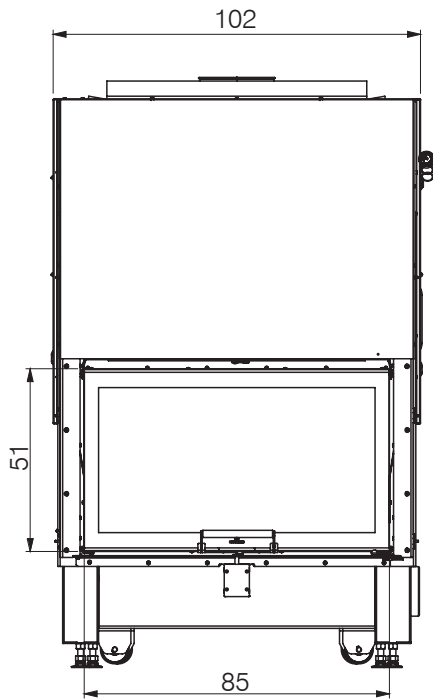
	Widro 85 - Widro 85 CS Nominal power	
Smoke temperature at smoke outlet	286	°C
Minimum draught	8	Pa
Smoke flow rate	18.1	rps

Intermittent combustion device

Position five pieces of dry wood with 33-cm length, placed horizontally.

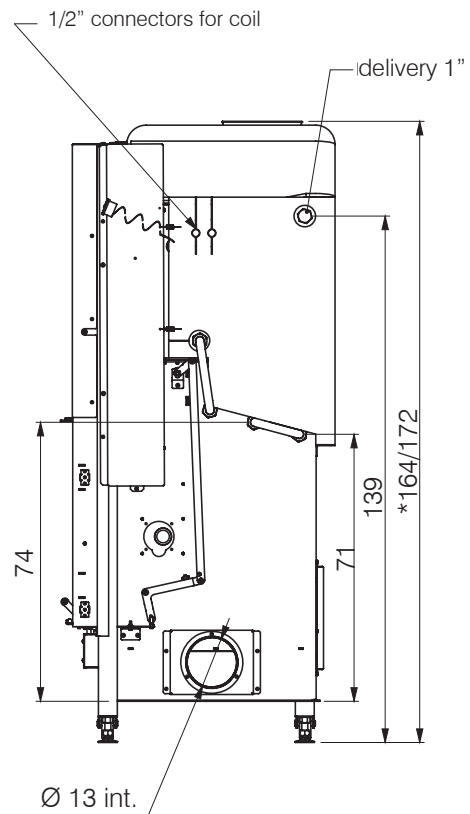
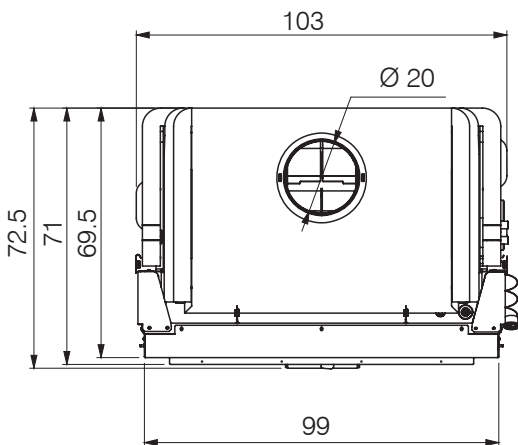
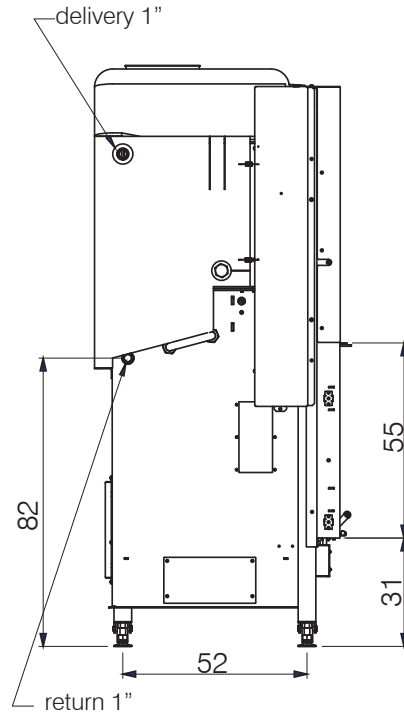
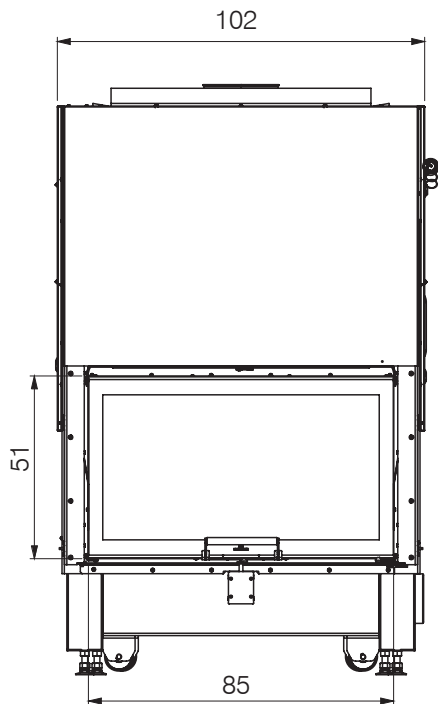
EDILKAMIN S.p.A. reserves the right to modify the product at its own discretion and without prior notice, with a view to improvements.

WIDRO 85 (dimensions in cm)



* maximum extension of feet 8 cm

WIDRO 85 CS (dimensions in cm)



* maximum extension of feet 8 cm

PREPARATION AND UNPACKING

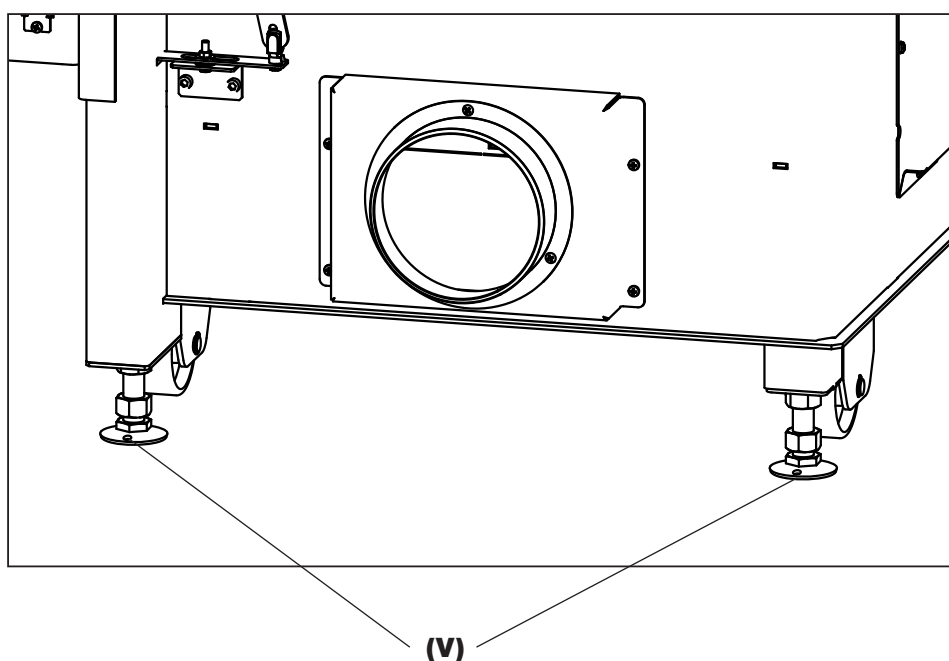
The packaging materials are neither toxic nor noxious and do not require special disposal. The user is responsible for storing, disposing of and recycling them in a regulatory fashion.



Always move the stove vertically with suitable equipment and in compliance with safety regulations. Do not turn the package over, and handle all parts requiring installation with care.

TO REMOVE THE PRODUCT FROM THE PALLET

Remove the screws **(V)** securing the product to the pallet, located on the feet. Remove the product from the pallet, taking special care to protect the door and its glass pane from impacts.

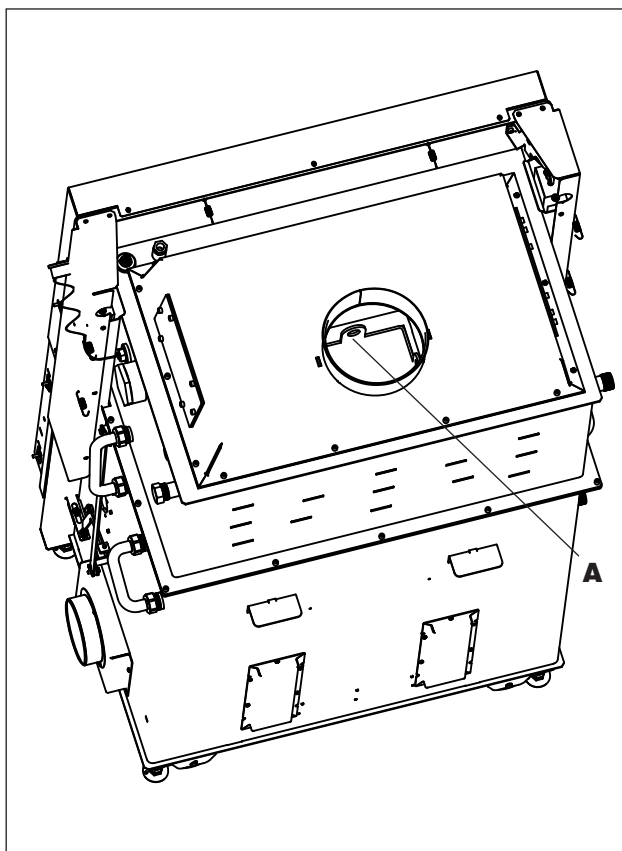


PICK-UP POINTS FOR HANDLING

The monobloc is equipped with four hooks to facilitate its transport **(A)**.



Make sure that the product remains balanced during handling.

**SHIFTING OF THE PRODUCT WITH WHEELS NEAR THE INSTALLATION POSITION**

The fireplace is equipped with feet **(B)** and wheels **(C)**.

Screw on the feet to use the wheels.

FEET

The feet are used to distance the fireplace from the floor and to level the hearth.

They can be adjusted by a maximum of 10 cm.

After positioning the fireplace, reposition the feet.



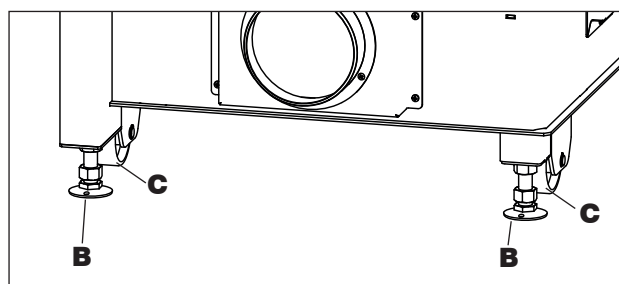
USE THE WHEELS ONLY FOR SMALL MOVEMENTS. DO NOT DRAG THE PRODUCT.

THE FEET MAY GET DAMAGED. USE THE WHEELS, after screwing the feet on.



PLEASE NOTE:

If the fireplace is not level there may be problems with the door's sliding movement.



LOOSEN THE LOCKING SCREWS ON THE SIDE OF THE DOOR ONLY AFTER THE PRODUCT HAS BEEN POSITIONED. DO NOT SHIFT THE PRODUCT WITHOUT THE LOCKING SCREWS.

DELIVERY

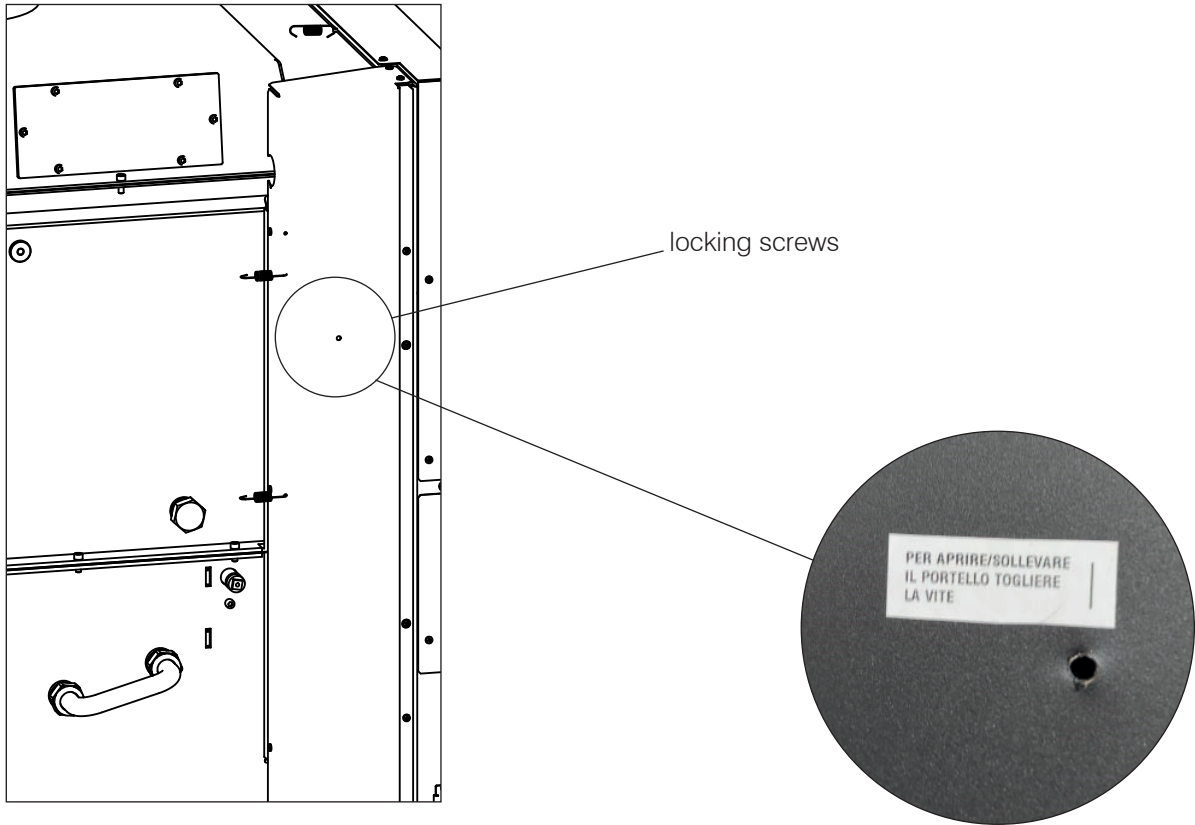
The packaging can provide a useful indication of the product's condition. Check the packaging on receipt and report any anomalies to the reseller straight away.

The packaging consists of a single pack with the contents as below.

Description	Number in the figure below	Quantity (pcs)	Use
Fireplace		1	*
Side and rear refractory elements		5	
Handle for lifting the door with screws	(1)	1	can be used either as a fixed handle (by fastening it with the screws) or as a detachable handle, using the relevant bushes.



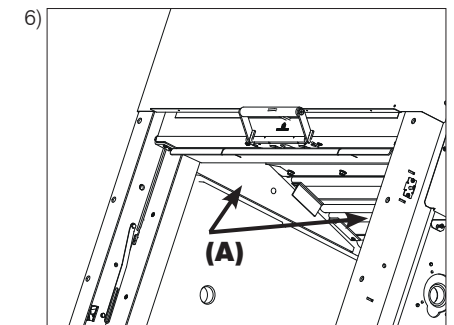
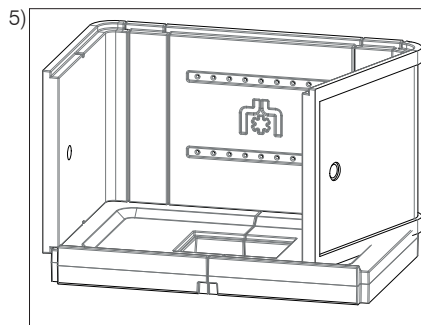
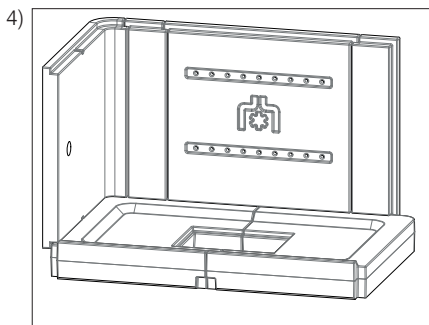
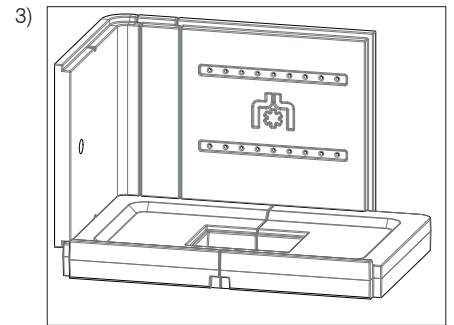
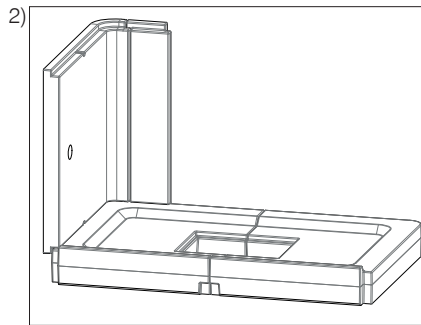
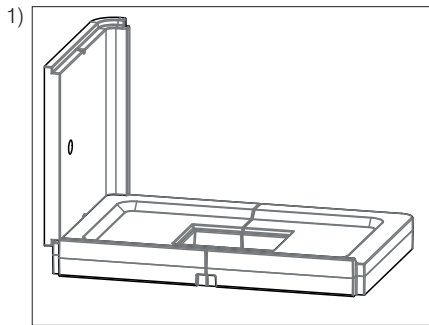
LOOSEN THE SCREWS ONLY AFTER THE PRODUCT HAS BEEN POSITIONED.
DO NOT SHIFT THE PRODUCT WITHOUT THE LOCKING SCREWS.
LOOSEN THE LOCKING SCREWS ON THE SIDES IN ORDER TO LIFT THE DOOR.



INTERNAL REFRACTORY ELEMENTS

Assembly sequence for REFRACTORY ELEMENTS:

- 1+2) Position the LH SIDE element.
- 3) Position the REAR element.
- 4+5) Position the RH SIDE element.
- 6) Position **(A)** REFRACTORY ELEMENTS on top.



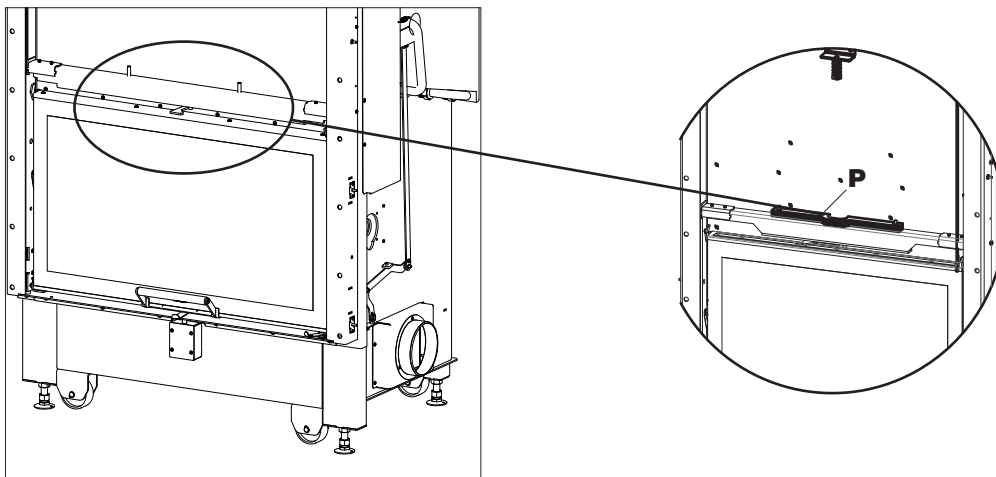
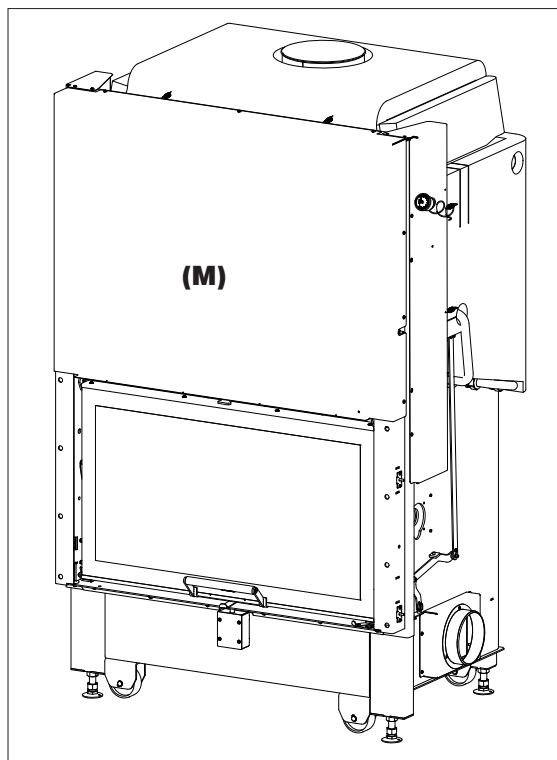
ONLY LIGHT THE PRODUCT WITH THE REFRACTORY ELEMENTS IN PLACE.

SELF-CLOSING DOOR

The fireplace is delivered with the door balanced, that is, it does not drop automatically once raised. To make the door self-closing, one or more plates (**P**) must be applied to the inner frame for the door. To access the inner frame of the door, remove the cover door located on the fireplace casing on both sides.

without plates (standard)	with plates (added during the installation phase)
NOT self-closing	self-closing

Remove the casing (M)



INTERNAL VIEW OF THE PLATES ON THE DOOR FRAME

REMARKS ON INSTALLATION

Note that:

- the appliance must be installed by authorised technical personnel;
- the appliance must be installed and operated in compliance with local and national law and European regulations;
- if installed in a condominium, the appliance must be approved by the administrator.

Here are a few general instructions, although these do not obviate the need to comply with local regulations and do not affect the installer's liability for the installation.

Checking the suitability of the installation space

- The room must have a volume of at least 70 m³.
- The appliance may not be installed in a bedroom, bathroom or in the same room as other equipment which draws air for combustion from the room itself, or in any area with an explosive atmosphere. Any extraction fans operating in the same room or area as the product may affect its draught.
- In Italy, check the compatibility pursuant to UNI 10683 and UNI 7129 in the presence of gas-fired products.
- The floor must be able to bear the weight of the product and its accessories.



When installing the product, leave enough space to allow easy access for cleaning the product and the chimney system.



Power lines
no power lines must be present in the walls and in the ceilings within the recessed area of the product.



In some nations, installations with multiple flues are permitted under certain conditions. Depending on regional regulations, further safety systems are necessary in the case of connection to multiple flues. Your chimney sweep/technician will be able to provide further details.

Protection from heat and safety clearances.

The surfaces of the building adjacent to the product must be protected against overheating.

The insulation to be used will depend on the type of surface in question.

Check on the chimney system's data plate the safety distances to be kept in the presence of combustible materials and the type of insulating material to be used.

MINIMUM SAFE DISTANCES FROM
FLAMMABLE MATERIALS

Rear = 0

Side = 0

Front = 2000

FLUE SYSTEM**(Fumes duct, flue and chimney pot)**

This chapter has been drawn up pursuant to European regulations EN 13384, EN 1443, EN 1856 and EN 1457. The installer must observe both these and any other local regulations. This manual does not in any way substitute such regulations.

The product must be connected to a smoke exhaust system which ensures that the smoke produced by combustion is expelled in complete safety.

Before positioning the appliance, one must check that the flue is suitable.

SMOKE DUCT, FLUE

The smoke duct (which connects the combustion chamber smoke outlet with the flue inlet) and the flue itself must, among other regulatory requirements:

- receive the smoke from a single product (the outlets of multiple appliances may not be conveyed into a single flue)
- have a mainly vertical course (no horizontal sections and bends of over 45° are permitted)
- have no downwards sloping sections
- have a preferably circular internal cross section and nevertheless with a ratio of the sides of less than 1.5.
- end at roof level with a proper chimney pot: the flue may not discharge directly on the wall or into an enclosed space, even if the space in question is open to the sky
- be made of material rated fire reaction class A1 per UNI EN 13501 or equivalent national regulations
- be certified, with a chimney plate if metal



The smoke outlet diameter does not match the chimney system diameter, which must be sized accordingly.

The chimney system must be sized by an expert in accordance with the regulations in force.

THE SMOKE DUCT

- if it is metal, it must have CE marking (EN 1856-2) or some similar national standard marking;
- may not be made of flexible metal material;
- in order to check the flow, it is recommended to use a damper if the draught is above 25 Pa.

THE FLUE:

- it must have a draught capable of creating depressurisation, which is ideally around 12 Pa. Lower draughts may lead to leaks of smoke when the door is opened; higher values tend to generate fast combustion and reduced efficiency
- must be correctly sized to satisfy the requirements for flue gas discharging (EN 13384-1)
- should preferably be insulated, in steel with a circular internal section. If rectangular, the inner corners must have a radius of not less than 20 mm, with a ratio of the internal dimensions of <1.5
- must normally be at least 4 metres in vertical length
- must be waterproof and thermally insulated to ensure proper draught
- preferably provide a collection chamber for unburnt fuel and condensates
- must be at least in the T400 category with appropriate resistance against soot igniting
- if pre-existing, must be clean, to prevent fire hazards.

THE CHIMNEY POT

- must be anti-downdraught
- must have an internal cross section equivalent to that of the flue and a fumes outlet at least double that of the interior of the flue
- for dual flues (which should be spaced at least 2 m apart) the chimney pot of the flue receiving the fumes from the solid fuel appliance or that from the higher storey, must be at least 50 cm higher
- needs to be beyond the back flow zone
- it must allow for maintenance of the chimney



Infiltration of water from condensation through the flue must be strictly avoided.

If necessary, an anti-condensate ring should be installed. Ask your chimney sweep for details.

Damage caused by water from condensation is excluded from the warranty.

EXTERNAL COMBUSTION AIR INTAKE (A)

To restore the oxygen burnt during operation, it is necessary to have an adequate air intake, pursuant to local regulations, of 200 cm².

In accordance with local regulations, the air intake can be mounted outside or in suitable rooms not subject to depression.

The cladding must have the grille at floor level so that combustion air can enter the product.

DIRECT AIR INTAKE

Install an air intake with an effective size (net of the mesh or other protective equipment) that is at least equal to that of the air intake at the back of the product. Choose the diameter based on the load losses.

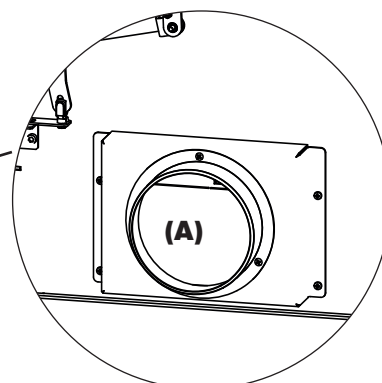
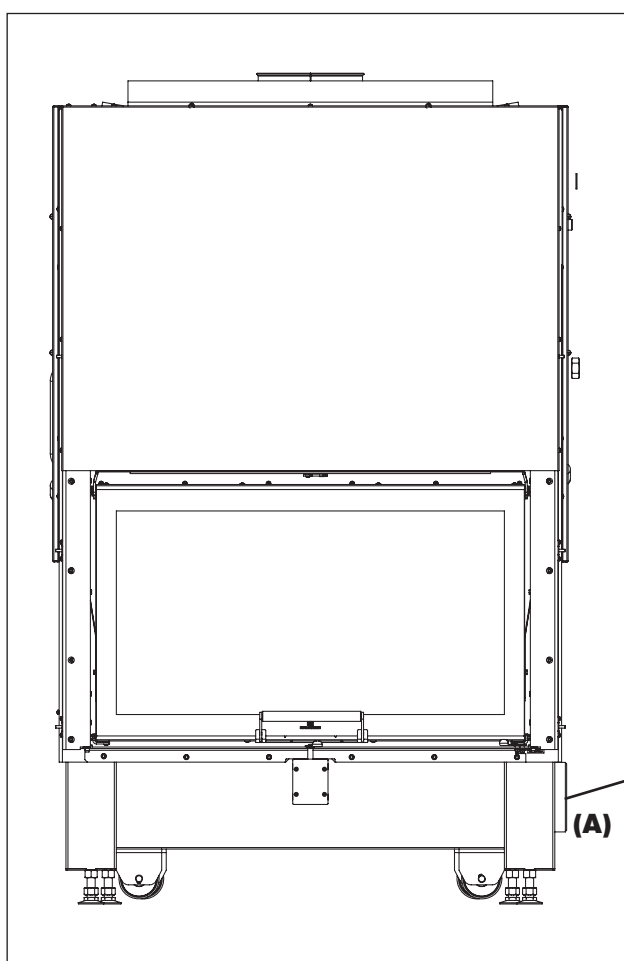
Connect the air intake to the appliance's air intake with a pipe that may also be flexible. Increase the diameter of the pipe if the pipe is not smooth: assess any load loss.

A maximum length of 5 metres is recommended, with no more than 3 bends depending on the draft of the flue.

The air maybe drawn from an adjacent room only if:

- the flow is taken from permanent, unobstructed openings communicating with the outdoors
- the air pressure in the adjacent room is never reduced to a level below outdoor pressure
- the adjacent room is not a garage, subject to fire hazard, a bathroom or a bedroom
- the adjacent room is not a shared room in the condominium.

In Italy, UNI 10683 provides that ventilation is sufficient even if a pressure difference between the outdoors and indoors of no more than 4 PA is guaranteed (UNI EN 13384-1). The installer who issues the declaration of conformity is responsible for ensuring these conditions.

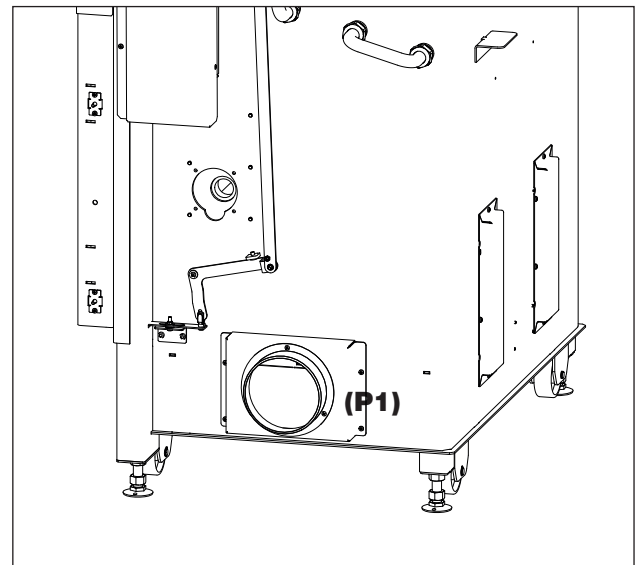
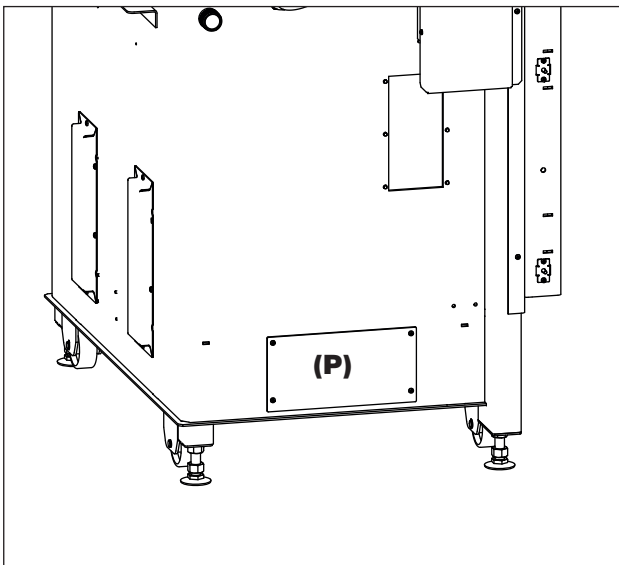


ORIENTATION OF AIR INTAKE ON LEFT-HAND SIDE (P)

IT IS possible to position the air intake on the left-hand side of the chimney.

Proceed as follows:

- Remove pre-cut part **(P)** from the left-hand side.
- Unscrew the plate **(P1)** on the right-hand side to be reused to close the hole of the previous air intake, closing the right-hand side.
- Screw on the pre-cut part **(P)** on the right-hand side in the place of **(P1)**.



HYDRAULIC INSTALLATION

Widro 85 is designed to install to a water circuit with open expansion vessel.

Widro 85 can be installed on circuits with open expansion vessels (check local regulations), providing the fittings are connected to the thermal discharge valve of the coil.



Never light the fire in the product (even to test it) when the circuit is dry (no water); doing so may irreparably damage the appliance.



The appliance must be correctly sized, installed, maintained and operated in compliance with local and national law and European regulations. For the installation, and for anything not specifically indicated in the manual, observe local regulations.

HYDRAULIC CONNECTIONS

The hydraulic connections depend on the type of system.

However, there are a few “general rules”:

- The presence of a puffer (inertial storage tank) is recommended but not mandatory. Its advantage is that it releases the product from “sudden” requests from the system and can be integrated with other heat sources. It reduces fuel consumption and increases the efficiency of the system.
- The return temperature of water must be higher than at least 50–55 °C to prevent condensate from forming.
- An accumulator (tank) is needed to heat low-temperature radiant panels and must be installed according to the panel manufacturer's instructions.
- The material used in the circuit must be suitable to withstand overheating.
- Direct plumbing to radiators prevents proper operation, owing to the small diameter of their pipes.

EXTERNAL WATER CIRCUIT KITS (OPTIONAL) FOR OPEN/CLOSED EXPANSION VESSEL

For simple installation, Edilkamin offers pre-assembled kits for installation outside the product.

The product you require depends on the type of circuit you are installing.



The return temperature of water must be higher than at least 50–55 °C to prevent condensate from forming.

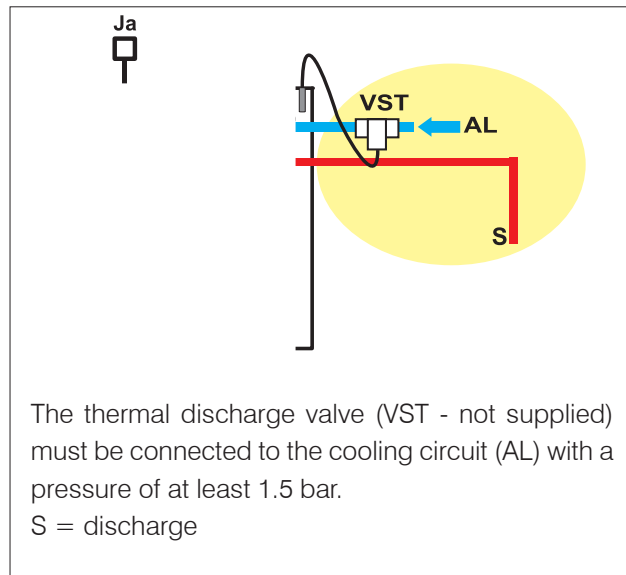
An anti-condensation system is essential and failure to install one will invalidate the warranty, on the basis of incorrect installation.

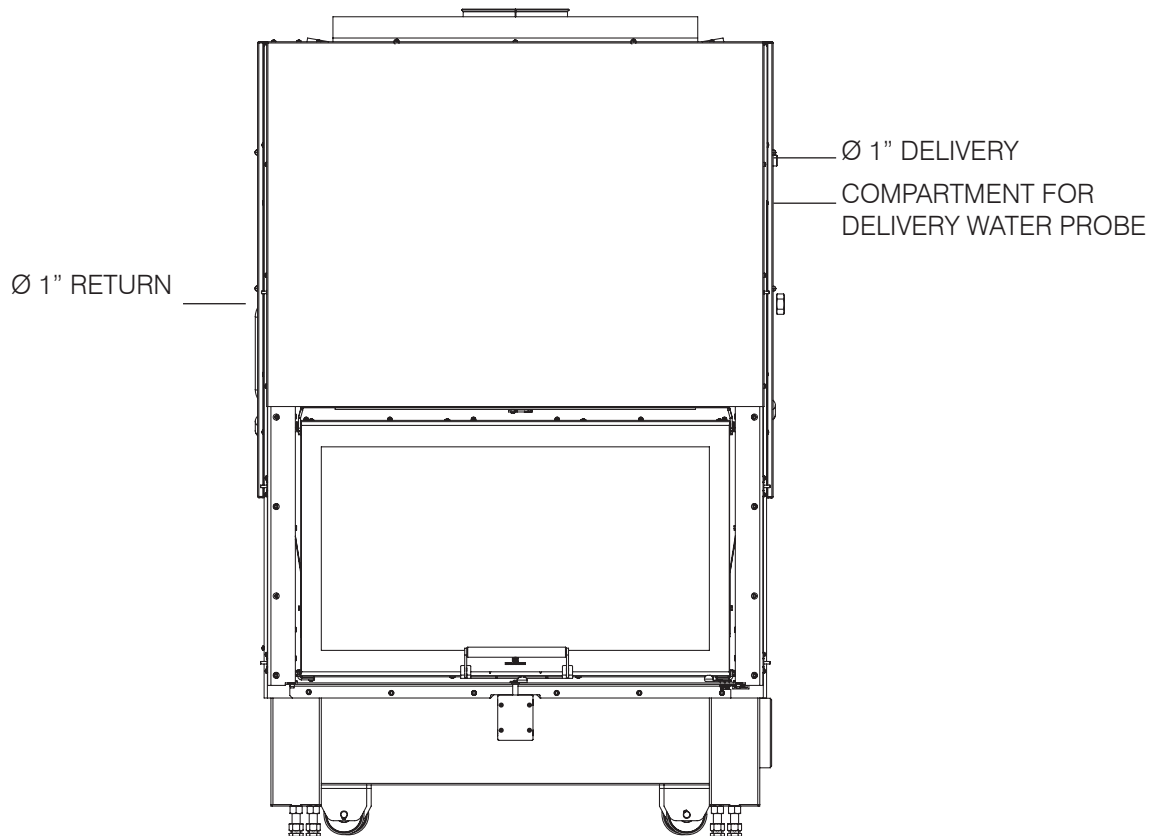
INSTALLATION ON AN OPEN EXPANSION VESSEL CIRCUIT

- The appliance and circuit must be filled with the expansion vessel open, with the water fed by gravity via the charging line (dia. at least 18 mm). While this is being done, all radiator bleed cocks must be open to prevent air bubbles forming in the circuit and preventing the water circulating properly.
- The open vessel must be at least 3 m higher than the highest point of the primary circuit, and 15 m lower than the product's delivery. The height of the vessel must in any case be such as to generate greater pressure than that of the circulation pump.
- Never fill the circuit directly with mains supply pressure, since this may be in excess of the appliance's pressure rating and result in damage to the appliance itself.
- The safety line to the expansion vessel must be able to vent freely without cocks and insulated to prevent water freezing inside it, which can damage the union.
- The loading pipe must be free, without taps or bends.
- Do not exceed an operating pressure of 1.5 bar.
- It is recommended to add antifreeze to the water in the circuit (refer to UNI 8065).

INSTALLATION ON A CLOSED EXPANSION VESSEL CIRCUIT (supplementary instructions to those for the closed vessel installation)

The pressure upline of the cooling circuit must be at least 1.5 bar (UNI 10412 in Italy).

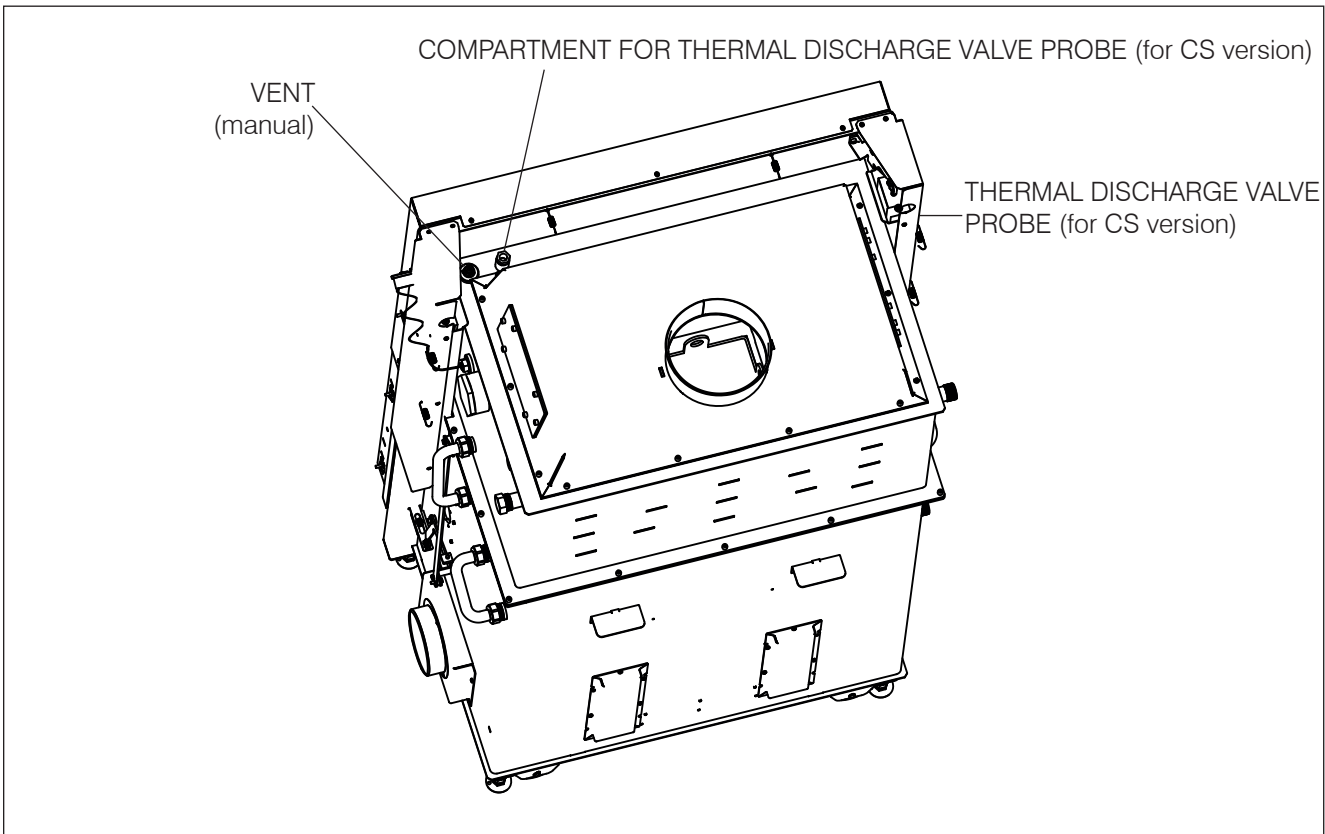


DELIVERY AND RETURN CONNECTION INCLUDED AS STANDARD:

Remember to use the gaskets on connectors and to employ proper installation methods.



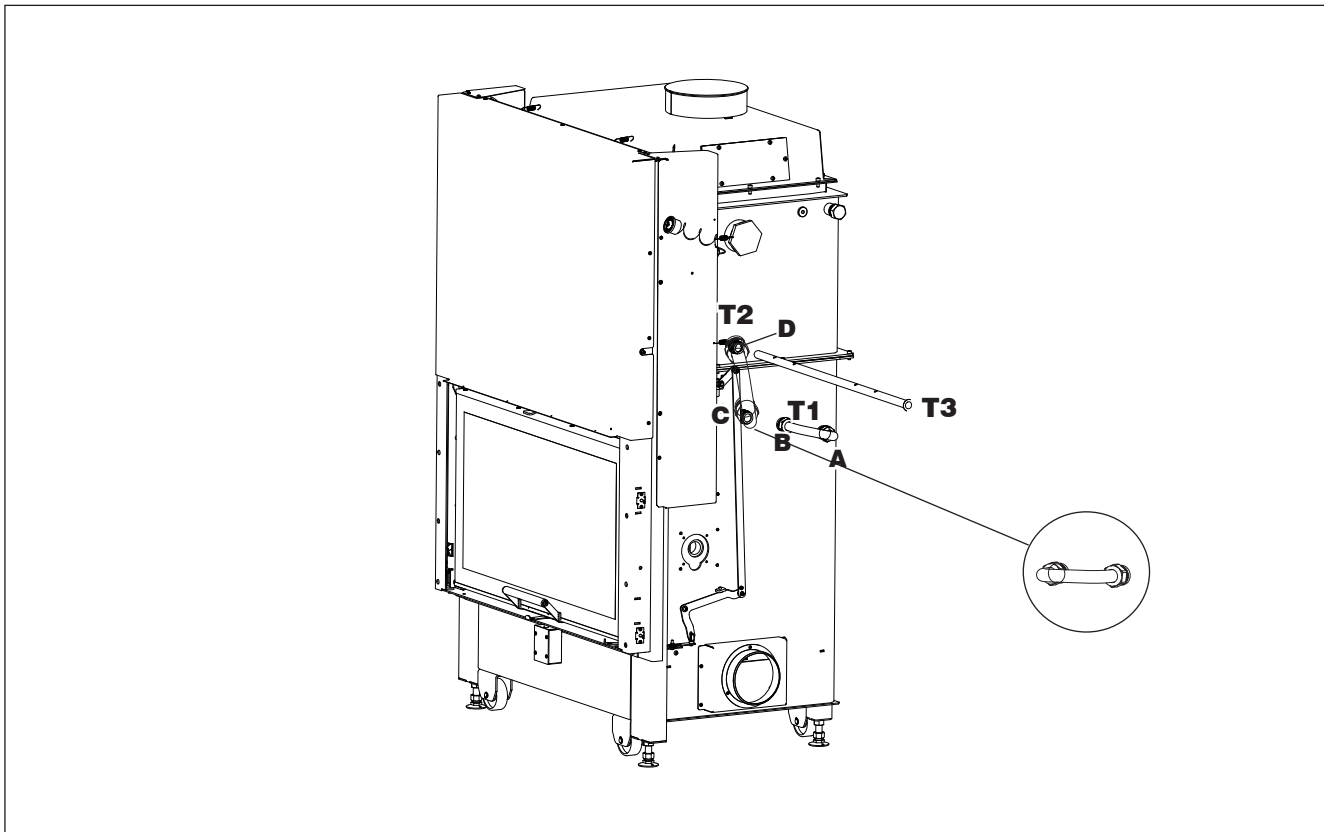
The appliance must be correctly sized, installed, maintained and operated in compliance with local and national law and European regulations. For the installation, and for anything not specifically indicated in the manual, observe local regulations.



ORIENTATION FOR LEFT-HAND DELIVERY AND RIGHT-HAND RETURN

The right delivery and return can be oriented “symmetrically” in relation to the standard position, by proceeding as follows:

- remove the copper connectors **T2**, to be used on the other side
- swap **T1** from **AB** to **BC**
- slide out pipe **T3**
- connect **T3, T2 and T1** on the other side of the thermo-fireplace
- use the caps on the left-hand side to close the right.



The Edilkamin price list includes pre-assembled hydraulic kits for open-vessel and closed-vessel installation.

Ask your local distributor for details.

Hydraulic parts are also available (control unit, valves, etc.)



Position the control unit in a cool location to prevent overheating of the circuits.

Facings, gather hood and vents

Face the product only after having completed the following steps:

- connection of the product to the smoke outlet and air intake
- inspection of the product when hot
- check to verify whether the product is levelled.

The installer must implement all the installation good practices and take all the necessary precautions against overheating and fire.

In particular:

- if a plinth is constructed beneath the hearth level, it must include a suitable slot for the passage of recirculation air from the room;
- the ability to inspect components;
- wooden parts must be protected with fireproof panels, which must not be placed against one another but spaced at least 1 cm apart to enable air to flow and prevent heat build-up. The gather hood can be made with fireproof panels, plasterboard or gypsum slabs; during construction, the hot air ducting kit must be mounted as described above.

The interior of the gather hood should be ventilated by exploiting the flow of air coming from below which convective currents will cause to exit from the grille on top.

It is therefore necessary to position two ventilation grilles (surface area greater than $xyz \text{ cm}^2$), one at combustion level and one at a recommended height of 50 cm above the chimney.

In addition to that mentioned above, take into account the regulations in force in the relevant country concerning "insulation, finishes, facings and safety recommendations".

Install inspection hatches for cleaning access.



Verify that the product works properly before applying the cladding.

In particular, check the following:

- Sliding elements
- Cabling



ONLY LIGHT THE PRODUCT WITH THE REFRACTORY ELEMENTS IN PLACE.

FOR INSTALLER

Possible adjustment of smoothness (loosening or tightening) of sliding action of the door using the Allen screws.

INLET SURROUND:

The inlet surround is an optional accessory.

It fills in the gap remaining between the firebox's frame and the cladding itself.

If purchased, it is sold in a single package.

TEMPLATE FOR GATHER HOOD:

Optional, to position before finishing cladding and frame for its placement.

**SPIT UNIT WITH STAINLESS STEEL
GREASE TRAY:**

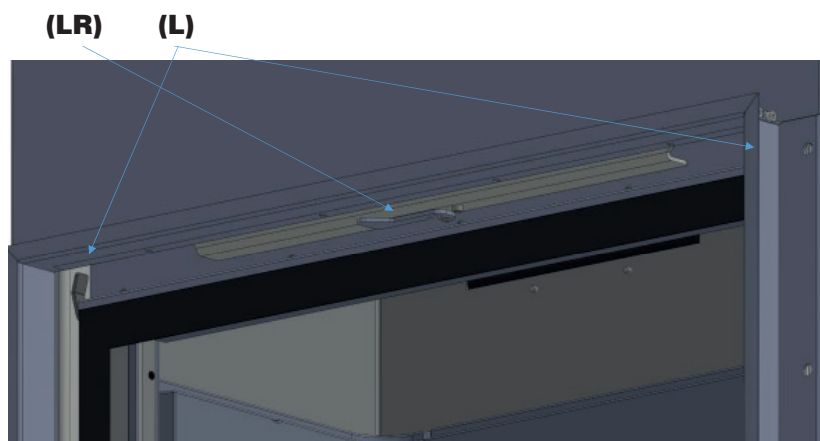
Optional for cooking, equipped with grill gear motor, spit rod, grease tray and drip pan (complete with brackets and screws).

Enables roasting of foods.

- **VERTICAL-OPENING AND BOTTOM-HUNG DOOR FOR CLEANING**

The door unlocking adjuster lever **(LR)** is located on the top part of the door;

The levers **(L)** to open the door with the bottom-hung system are to the right and left of the door.



- **OPENING THE DOOR WITH VERTICAL MOVEMENT (LOCK LEVER LR at the TOP)**

Use the handle (detachable), which is fixed with screws.

- **BOTTOM-HUNG DOOR OPENING**

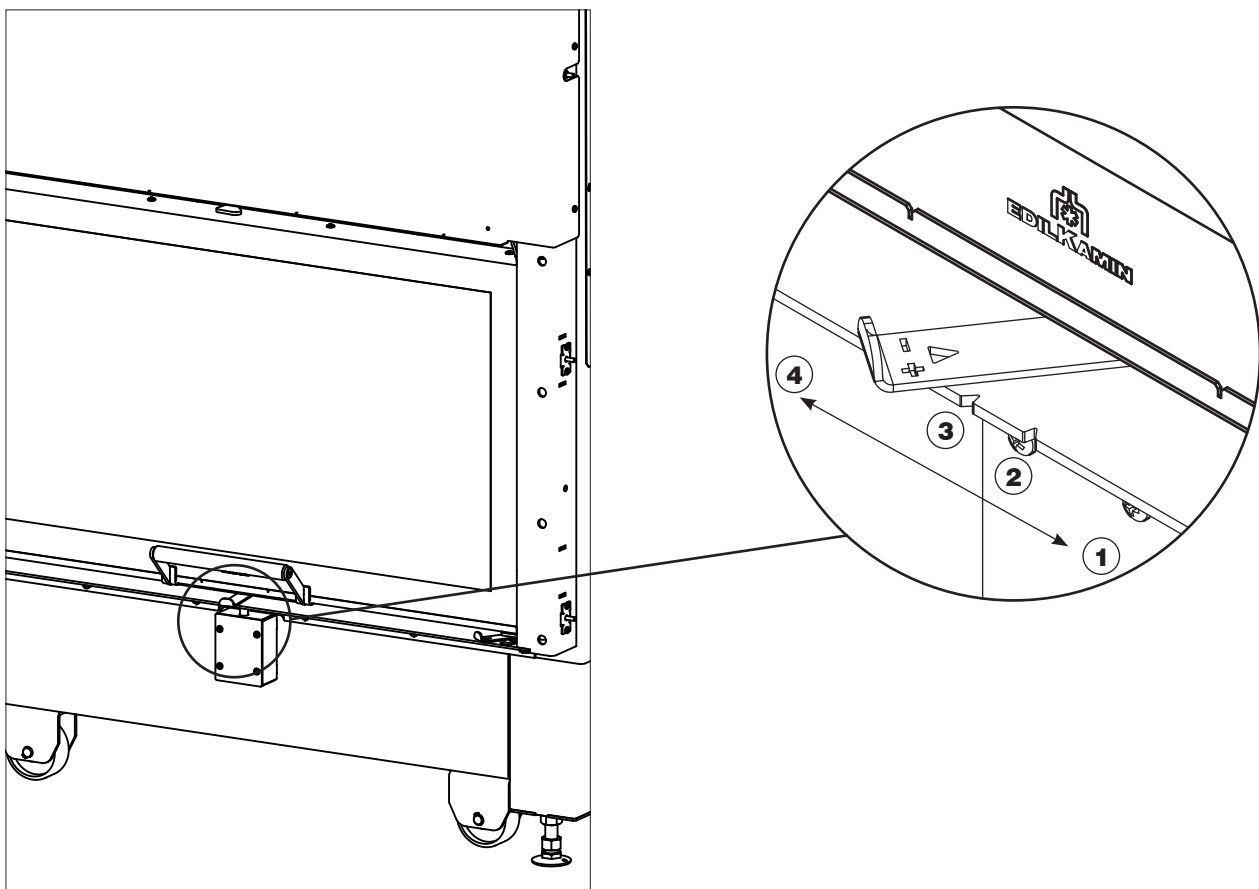
To open the door with the bottom-hung system, adjust the levers **L** to the right and left of the door



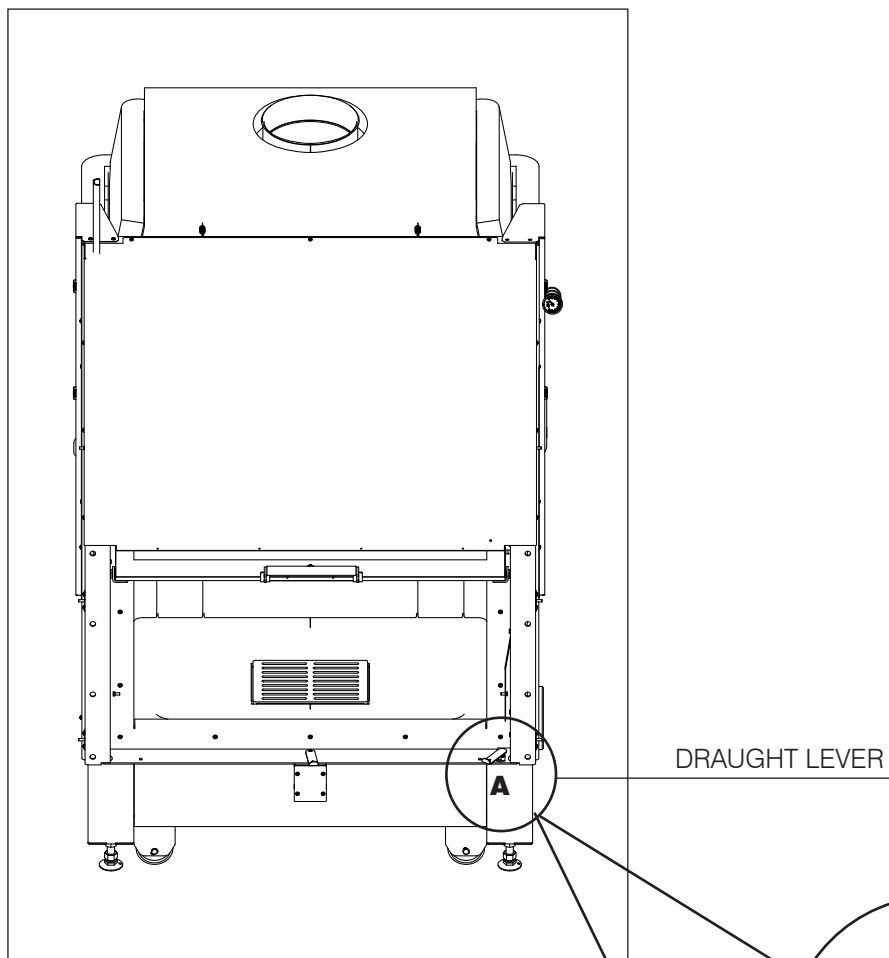
AIR LIMITATION

To increase or decrease the combustion air and post-combustion supply to the chamber, adjust the air lever. Move the lever by following the indications + and - .

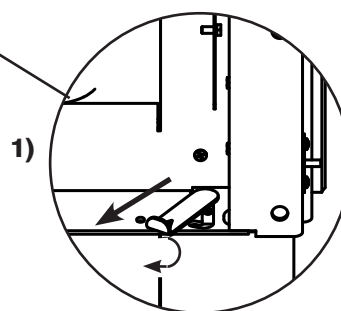
Description	Effect
Position 1 Ignition / maximum power	Primary air sent entirely to the combustion chamber plus turbo air (all to the RH)
Position 2 Intermediate	Primary air completely open
Position 3	Primary air half
Position 4 Ember maintenance	Post-combustion air only All passages for the primary combustion air are closed (all to the LH)



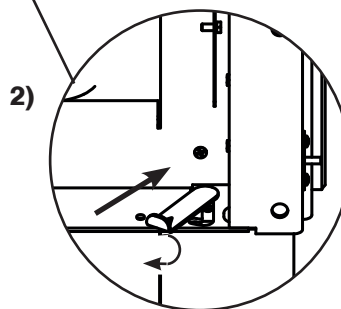
Depending on the draught, above all while lighting, it is possible to increase draught with the draught lever.



1) To open:
unlock lever **A** by moving it to the right (R), pull it forward and lock it to the left (L).



2) To close:
unlock lever **A** by moving it to the right (R), push it in and lock it to the left (L).



FUEL

The product is designed for burning wood pellets or logs. Use dry wood pellets (max. 20% humidity).

Using damp wood will make the product and flue dirty, risk the release of smoke and provide a lower heat output.

Each type of wood has different properties that influence the output of the combustion process.

The data given in this manual refers to the wood used during certification.

Generally speaking, wood has a calorific value of approximately 4.5 kWh/kg. When freshly cut it has a calorific value of approximately 2 kWh/kg.

Generally speaking, it is recommended to use beech, elm or other class A1 woods in accordance with UNI EN ISO 17225-5.

Avoid the prolonged use of woods rich in aromatic oils (e.g. eucalyptus). This may deteriorate the cast iron components.

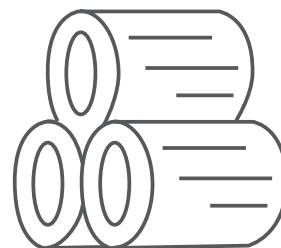
Use the recommended quantities of wood.

Overloading may lead to overheating, causing the following damage:

- possible buckling of the internal parts;
- possible irreversible alterations in the colour of the paint on the metal parts, for which neither Edilkamin nor the retailer can be held responsible.

For reasons of safety and respect for the environment, DO NOT burn: plastics, painted wood, coal or waste bark or other unsuitable material. Do not use the product as an incinerator. The use of these fuels will invalidate the warranty.

TO OBTAIN THE RATED POWER, FOLLOW THE INDICATIONS ON THE TECHNICAL CHARACTERISTICS PAGES



First ignition procedure

- Make sure you have read and understood this manual
- Remove all flammable materials from the appliance (manuals, labels, etc.). Be sure to remove the labels on the glass. They would irreparably damage the glass if they melted.

To light the fire in the combustion chamber, always use smaller pieces of wood. Use larger pieces of wood to feed the fire once it has started.

Place the wood on the combustion grille.

NOTE

On first ignition, there may be a slight smell of paint, which will disappear over a short period, after using the product a few times at rated capacity.

Ignition with the combustion chamber cold.

1. Check that the existing ash bed is not too high. If the ash bed becomes too high there is a danger that hot embers may fall out of the combustion chamber when the combustion chamber door is opened to add wood.
2. Move the lever for regulating the air valve to the “fully open” position. There will be an intense flow of combustion air to the wood in the combustion chamber allowing quick and efficient combustion.
3. Place the wood in the combustion chamber without packing it excessively. Place an ignition unit among the logs, and ignite. Never use ignition products such as petrol, alcohol and the like.
4. At this point, close the door and monitor for a few minutes. If the fire should go out, open the door slowly, place another ignition unit among the logs and ignite it again.

Adding wood when the combustion chamber is hot

When is the right time to add wood? When the fuel has almost finished and is in hot embers. Using the glove provided, open the door slowly (to avoid the creation of air vortices which could cause smoke to leak out). Add the desired quantity of wood into the combustion chamber, placing it on top of the existing embers (within the quantity limits indicated in the technical sheet).

Operation with low initial draught

In order to draw in the air for combustion and to discharge the smoke, the combustion chamber needs the draught created by the flue.

If the draught is weak, initially light a “start-up” fire using smaller pieces of ignition material.

Once the correct level of draught has been restored, you can add the fuel.

PRACTICAL TIPS

It is recommended to keep radiators off in the room where the thermo-fireplace is installed as the heat radiated from the opening is sufficient.

- Incomplete combustion leads to excessive build up on the exchanger tubes. To avoid this, it is necessary to:
- burn dry wood
- ensure that the combustion chamber contains a good bed of hot embers and coals before adding more wood
- add logs with a larger diameter along with smaller ones.



ONLY LIGHT THE PRODUCT WITH THE REFRACTORY ELEMENTS IN PLACE.



Always use the glove provided to touch any hot parts. Avoid direct contact with hot parts.

EXPANSION

As with all appliances, a wood appliance heats up and cools down during the various operating stages.

This implies normal expansion movements.

These expansions may cause slight settling noises that cannot constitute grounds for complaints.

ODOURS

On first ignition, there may be a slight smell of paint, which will disappear in a short time.

REFRACTORY ELEMENTS

The internal refractory elements are designed to withstand normal use.

Their cleaning is guaranteed by proper combustion.

The main sources of damage to refractory elements are:

- accidental impacts
- use of non-ecological firelighters
- loading with wood in excess of the recommended amount
- use of fuels other than those recommended

Neither Edilkamin nor distributors are liable for damage due to the above actions

Cleaning the door glass WHILE COLD
Open the product with the bottom-hung door, as shown previously (unlock the levers to the sides of the glass)

Use specific products for cleaning the door glass (see our Glasskamin price list).

Do not spray the product onto the painted areas or onto the door gasket. As an alternative to a cleaning product, you can use a cloth soaked with a bit of white ash and some newspaper.

Take care that the ash has no solid parts which may scratch the glass.

The ceramic glass used on the product can resist temperatures up to 750°C and is tested and checked before and after installation for cracks, bubbles and draughts.



However, despite its excellent temperature resistance, the glass is fragile and it is advised to always handle the door with care; do not slam it shut or force it.

Since it is a non-elastic element, it can break.

Cleaning the outside of the stove

Do not use aggressive detergents to clean the outside of the stove.

Do not use cold water to clean the stove when it is hot; doing so can damage it.

Cleaning the flue

This should be done before being used again in the cold season and whenever you notice a build-up of soot and tar inside it which can easily catch fire.

When there are high temperatures and sparks, this type of build-up can catch fire leading to serious consequences for the flue and for the home itself.

It is therefore recommended to clean it at least once a year. Check the local regulations.

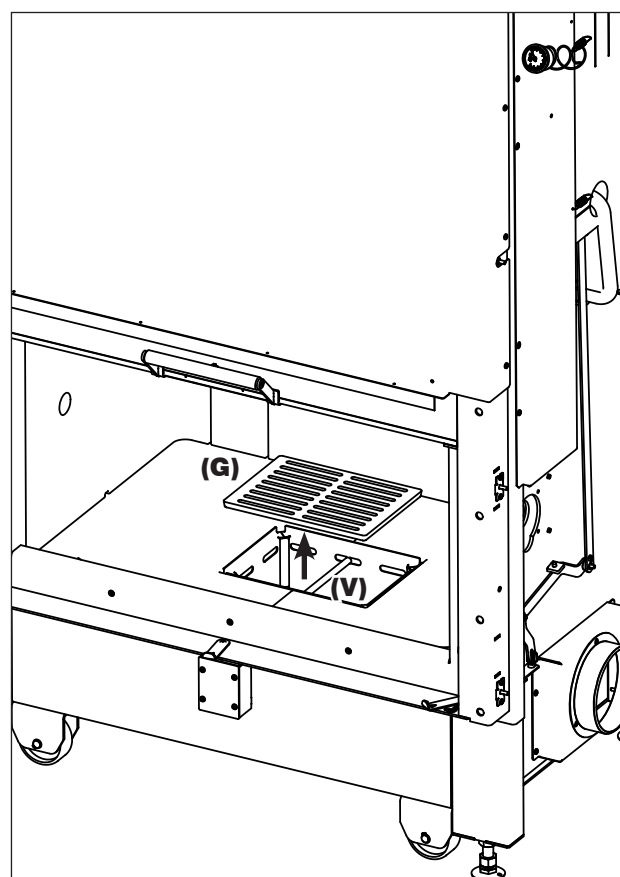
Ash removal (only with the fireplace off and cold)

There is a tray.

Remove the ash grille **(G)** and pull out the tray.

(V).

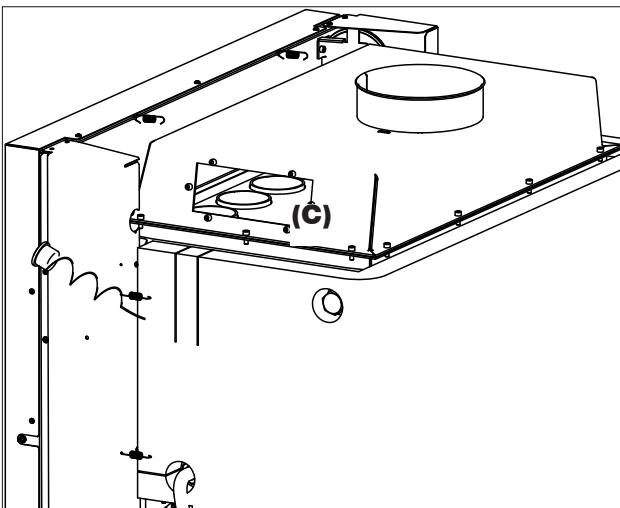
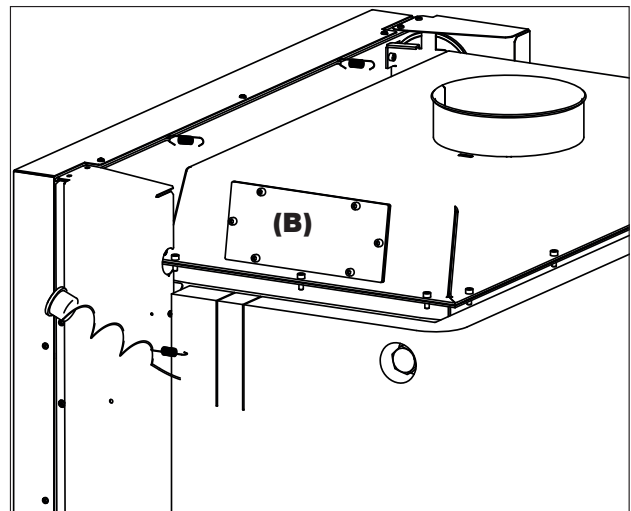
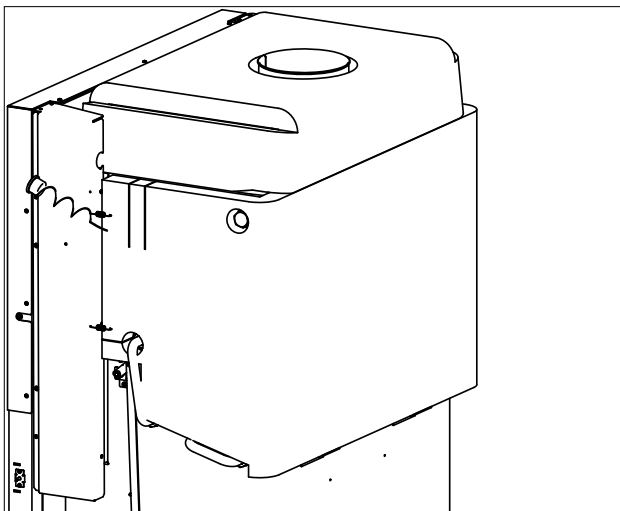
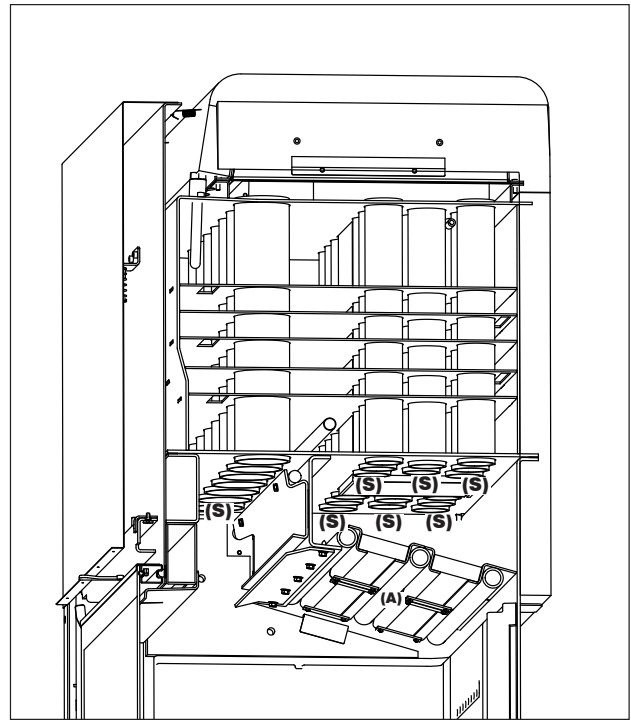
Only place the ash removed in non-combustible containers; bear in mind that the residual embers may still re-ignite 24 hours after the last combustion.



CLEANING EXCHANGER

With the fireplace off and cooled, take the following steps, observing the criteria for safe operation to protect people and property.

- Open the fireplace door with vertical opening.
- Remove the deflector **(A)**
- Brush **(S)**
- Close the door
- Unscrew plate **(B)** from both sides
- Clean and vacuum **(C)**
- Once the dirt has been deposited, open the fireplace door with vertical opening.
- Vacuum and reassemble the components removed.



SEASONAL MAINTENANCE by authorised technician

This consists of cleaning the stove inside and out.

Seasonal maintenance should be performed by a qualified technician in accordance with the national and local regulations.

If the product is used intensively, it is recommended to clean the smoke duct and passage every 3 months.

You should clean the chimney system at least once a year (check local regulations for details).

If you fail to regularly clean and inspect the system, there is an increased risk of the chimney pot catching fire.

REPAIRS

To be performed only by Edilkamin technical assistance centres/authorised distributors. The names of Edilkamin technical assistance centres (TAC) and official, authorised distributors are available ONLY at www.edilkamin.com

SUMMER SHUTDOWN

During the period of disuse, keep the doors, hatches and lids closed.

In particularly humid areas, it may be necessary to disconnect the air intake and fume connector.

SPARE PARTS

For any spare parts, contact your dealer or technician. The names of Edilkamin technical assistance centres (TAC) and official, authorised distributors are available ONLY at www.edilkamin.com

Using non-original spare parts may damage the appliance and relieves Edilkamin of all liability for any resulting damages. This also invalidates the warranty on the basis of tampering.

Do not make unauthorised modifications.

DISPOSAL

At the end of its service life, dispose of the product as required by regulations.

TROUBLESHOOTING**1) If smoke comes out of the combustion chamber opening, check whether:**

- The installation is correct (smoke duct, flue, chimney pot; air intake).
- The wood being used is dry.
- The door was opened too quickly.

2) If the combustion is uncontrolled, check whether:

- The sealing gaskets of the combustion chamber door are intact.
- The combustion chamber door is closed properly.

3) If the glass becomes soiled quickly, check whether:

- The wood being used is dry. All the same, be aware that after a few hours of operation, it is normal for a slight layer of soot to form on the glass.

4) If a fire starts in the flue or you need to immediately stop combustion in the fireplace:

- if you can do so safely, remove the ash and embers with metal tools and containers, using the fireproof glove
- contact emergency services if a fire starts

5) If you notice any unusual smells:

- This is the first ignition: in this case a smell of paint is normal.

If you do not manage to resolve a problem, contact your retailer or, in countries where they exist, contact the authorised Technical Assistance Centre.

Otherwise, or in case of doubt, check the general conditions.

They will only be able to assist under warranty if a product fault is proven.

The names of Edilkamin official, authorised technical assistance centres (TAC) and distributors are available ONLY at
www.edilkamin.com



www.edilkamin.com

code 942139-GB 07.21/B