

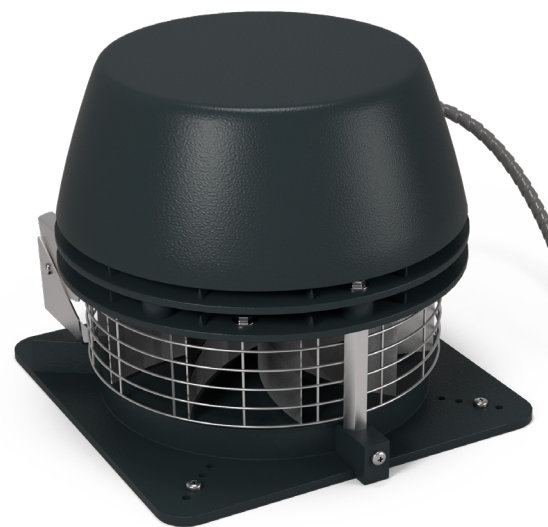
Chimney fan

RS

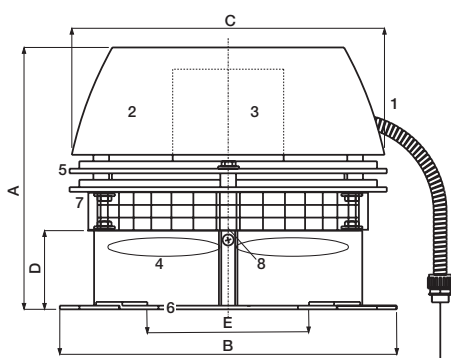
An Exodraft RS chimney fan is a specially designed extractor fan with horizontal discharge.

The fans can be used with all types of fuel burning appliances and are especially well-suited to appliances burning solid fuel, such as biomass or solid-fuel boilers, fireplaces and wood-burning stoves.

The fan is installed on top of a chimney and creates a negative pressure (suction) along the full length of the flue and chimney. The fan is part of an Exodraft system and must be connected to an Exodraft controller.



Technical data



1. Motor cable
2. Top section
3. Motor
4. Vane
5. Cooling plate
6. Base plate
7. Hinges
8. Locking screws

Model	Motor data				Weight kg	Dimension [mm]				
	rpm	V	Amp	kW*		A	BxB	C [Ø]	D	E [Ø]
RS009-41	1400	1 x 230	0.30	0.05	9	250	300	285	75	220
RS012-41	1400	1 x 230	0.40	0.09	14	275	365	350	85	280
RS014-41	1400	1 x 230	0.60	0.13	18	330	420	395	100	330
RS016-41	1400	1 x 230	1.20	0.29	25	405	480	450	100	380
RS255-41	1400	1 x 230	0.40	0.07	14	260	300	350	35	200
RS285-41	1400	1 x 230	0.80	0.18	20	290	355	395	35	230

*Power consumption at ambient temperature of 20 °C

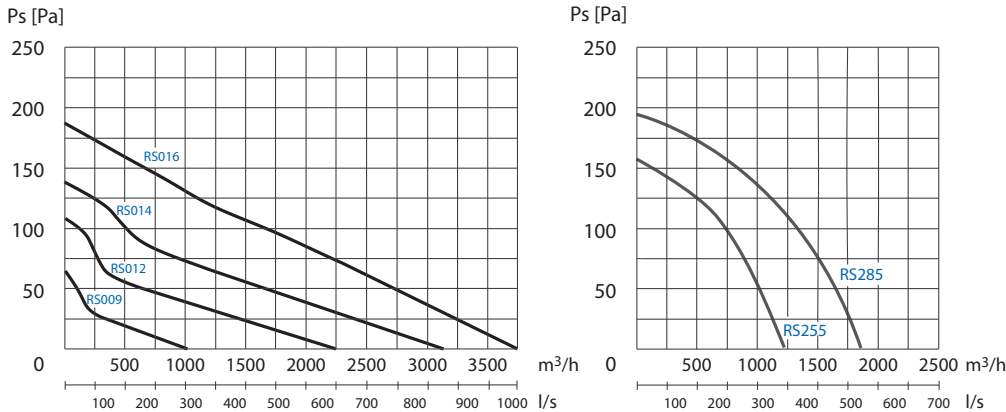
The RPM of the above fan models are infinitely adjustable

Motor protection IP rating IP54

Insulation class F

The RS009 and RS012 fans can also be supplied with an octagonal mounting plate, specially designed for steel chimneys.

Capacity diagrams



Type	Test flue diameters
RS009	Ø 160 mm
RS012	Ø 200 mm
RS014	Ø 250 mm
RS016	Ø 315 mm
RS255	Ø 200 mm
RS285	Ø 250 mm
at 1400 rpm	

PLEASE NOTE: The capacity diagrams are measured with a flue gas temperature of 20 °C. The fan's capacity changes with the temperature of the flue gases. The correction of the capacity can be calculated using the following equation:

$$P_{s_{20}} = P_{s_t} \times \frac{273 + t}{293}$$

Ps = static pressure
t = temperature measured in °C

Example:

System demand: 500 m³/h and 90 Pa at 180 °C
Fan selection: 500 m³/h and 139 Pa at 20 °C

Sound data

Sound levels to external surroundings
Lw (dB) measured in accordance to ISO 3744

Model	Lw [dB]							Lp dB [A]
	125 Hz	250 Hz	500 Hz	1000 Hz	2000 Hz	4000 Hz	8000 Hz	
RS009-41	54	50	47	43	38	31	25	21
RS012-41	64	60	55	52	48	42	34	30
RS014-41	75	69	65	62	57	51	44	41
RS016-41	81	76	72	69	64	58	52	47

Tolerance +/- 3 dB.

Lw = sound effect level dB (reference: 1 pW)

Lp = sound pressure level dB [A] at 10 m distance from the fan at half spheric sound distribution

Lp (5 m) = Lp (10 m) + 6 dB

Lp (20 m) = Lp (10 m) - 6 dB